

Specifications

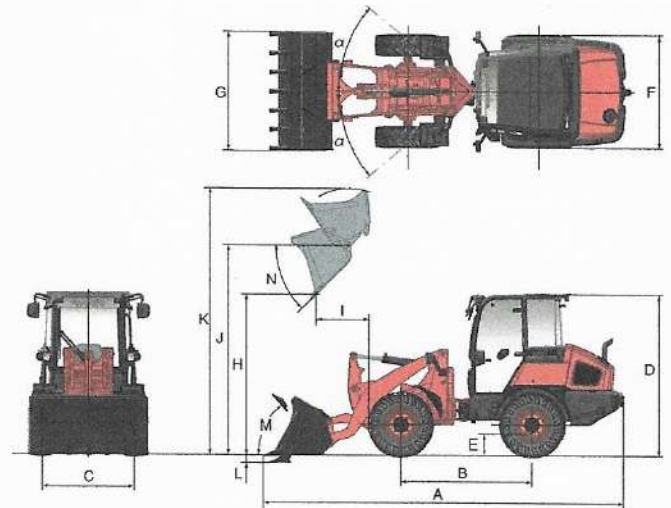
Model		R540	R640	
Type of ROPS / FOPS		CANOPY / CAB		
Model		V2607-CR-E5-WL	V2607-CR-TE5-WL	
Emission certification		Tier4 Final		
Engine	Output (SAE J1995 gross)	HP (kW) @ rpm	50.9 (38.0) @ 2400	
	Output (SAE J1349 net)	HP (kW) @ rpm	47.9 (35.7) @ 2400	
	Displacement	cu.in. (cc)	160 (2615)	
Transmission		Hydrostatic transmission		
Dimensions	Overall length	ft.in. (mm)	17' 8" (5395)	
	Overall height	ft.in. (mm)	8'1" (2453) / 8'2" (2473)	
	Overall width (w/o bucket)	ft.in. (mm)	5' 7" (1712)	
	Ground clearance	in. (mm)	13" (330)	
Auxiliary circuit	Auxiliary hydraulic flow	gpm (ℓ/min.)	14.2 (53.8)	
	Auxiliary hydraulic pressure	psi (Mpa)	2683 (18.5)	
Drive system	Tire size		12.5 - 18	
	Travel speed		mph (km/h)	0 - 12.4 (0 - 20.0)
	Max. traction force		lbs. (kN)	6541 (29.1)
	Front/Rear axle traction lock		Diff-lock (both axles)	
	Articulation angle		40 (each direction)	
	Angle of rear frame oscillation		±8	
	Loader clearance circle		ft.in. (mm)	13' 8" (4175)
	Turning radius track circle		ft.in. (mm)	11' 11" (3620)
	Brakes		Enclosed wet disc	
			Spring applied hydraulic released wet disc	
Lifting specifications	Tipping load (straight)	with bucket	lbs. (kg)	6437 (2920) / 6768 (3070)
		with pallet forks	lbs. (kg)	4960 (2250) / 5202 (2360)
	Tipping load (full turn)	with bucket	lbs. (kg)	5644 (2560) / 5930 (2690)
		with pallet forks	lbs. (kg)	4365 (1980) / 4586 (2080)
	Rated operating capacity (SAE 50%)	with bucket	lbs. (kg)	2822 (1280) / 2965 (1345)
		with pallet forks	lbs. (kg)	2183 (990) / 2293 (1040)
Operational specifications	Standard bucket capacity		yd³	0.85
	Breakout force		lbs. (kN)	8183 (36.4)
	Lifting capacity at ground level		lbs. (kN)	6767 (30.1)
	Loader raise / lower time		sec.	6.5 / 4.5
Fuel tank		gal. (ℓ)	18.5 (70)	
Hydraulic system		gal. (ℓ)	15.1 (57)	
Hydraulic reservoir		gal. (ℓ)	10.3 (39)	
Operating weight (Including operator weight @ 165lbs.)		lbs. (kg)	9888 (4485) / 10285 (4665)	

Working range

		R540	R640
A	Overall length	ft.in. (mm)	17' 8" (5395)
B	Wheelbase	ft.in. (mm)	6' 7" (2000)
C	Tread	ft.in. (mm)	4' 5" (1355)
D	Overall height (canopy / cabin)	ft.in. (mm)	8'1" (2453) / 8'2" (2473)
E	Ground clearance	in. (mm)	12.5" (317)
F	Overall width (outside of tires)	ft.in. (mm)	5' 7" (1712)
G	Overall width (bucket)	ft.in. (mm)	6' 2" (1867)
H	Dumping clearance	ft.in. (mm)	8' 0" (2438)
I	Dumping reach	ft.in. (mm)	2' 7" (784)
J	Max. hinge pin height	ft.in. (mm)	10' 7" (3230)
K	Max. lifting height	ft.in. (mm)	13' 5" (4080)
L	Digging depth	in. (mm)	6.1" (155)
M	Tilt back angle (at traveling position)	Deg.	50
N	Dumping angle	Deg.	45
O	Articulation angle	Deg.	40

Note: The above dimensions are based on the machine with wide tires, SSL type quick coupler, standard bucket and ROPS/FOPS canopy and cabin.

Kubota Tractor Corporation reserves the right to change the stated specifications without notice. This brochure is for descriptive purposes only and reasonable efforts were used to set forth the contained information; some items shown may be optional and some products shown may not be available at all dealerships. Kubota disclaims all representations and warranties, express or implied, or any liability from the use of this brochure. For complete warranty, safety and product information, consult your local Kubota dealer and the operator's manual. Power (HP/KW) and other specifications are based on various standards or recommended practices. For your safety, Kubota strongly recommends the use of a Rollover Protective Structure (ROPS) and seat belt in almost all applications. This brochure is intended for the United States and US territories only. For information regarding Kubota products or services outside these areas, see Kubota Corporation's global web site. Kubota does not provide parts, warranty or service for any Product which is re-sold or retailed in any country other than the country for which the Product(s) were designed or manufactured.



KUBOTA TRACTOR CORPORATION

1000 Kubota Drive, Grapevine, TX 76051 Tel 888-4 KUBOTA

Visit our web site at: www.kubotausa.com

©2020 Kubota Corporation



Kubota
Genuine Parts
for maximum
performance,
durability and
safety

