

KEY FEATURES

Night-Lite™ V-Series*

Sequenced Light System (SLS™)

Automatically delays engine shutdown to turn off lights and prevent generator from shutting down while under load.

(4) Metal Halide Light Fixtures

(4) LED Light Fixtures (Optional)

Easy Fixture Adjustment

359° Fixture Rotation

55 mph Operating Wind Speed Rating

Guide Pads

Polyethylene self-lubricating

Structure

Five-section tubular steel design

Complete Tower Rotation

Lift Ring

All Steel Body Construction

Trailer Lighting

Stop, turn, tail lights / side marker lights / illuminated license plate bracket

Stabilizers

Three-point design, tongue jack, (2) retractable side outriggers at front of trailer

Remote Engine Oil and Coolant Drain

Easily accessible at rear of trailer

45 Gallon Polyethylene Fuel Tank

Tie Down Slots

Simple, Easily Accessible Controls

Max Height*

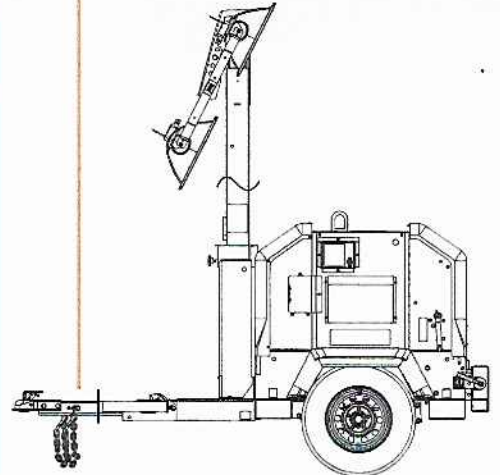
26 ft (7.9 m)

Height

Mast Lowered / Raised
8.5 ft (2.6 m) / 24.6 ft (7.5 m)

Width

Transport / Operating
53 in (1,346 mm) / 104.7 in (2,659 mm)



Length

Transport
78.8 in (2,002 mm)



Hour Meter

Actuation

Manual winch, standard

Exterior Fuel Fill

Fluid Containment System (FCS) Holding up to 110% of all on-board fluids

Removable Tongue

Frame Formed, welded steel frame

Axle Tubular axle with elliptical leaf springs

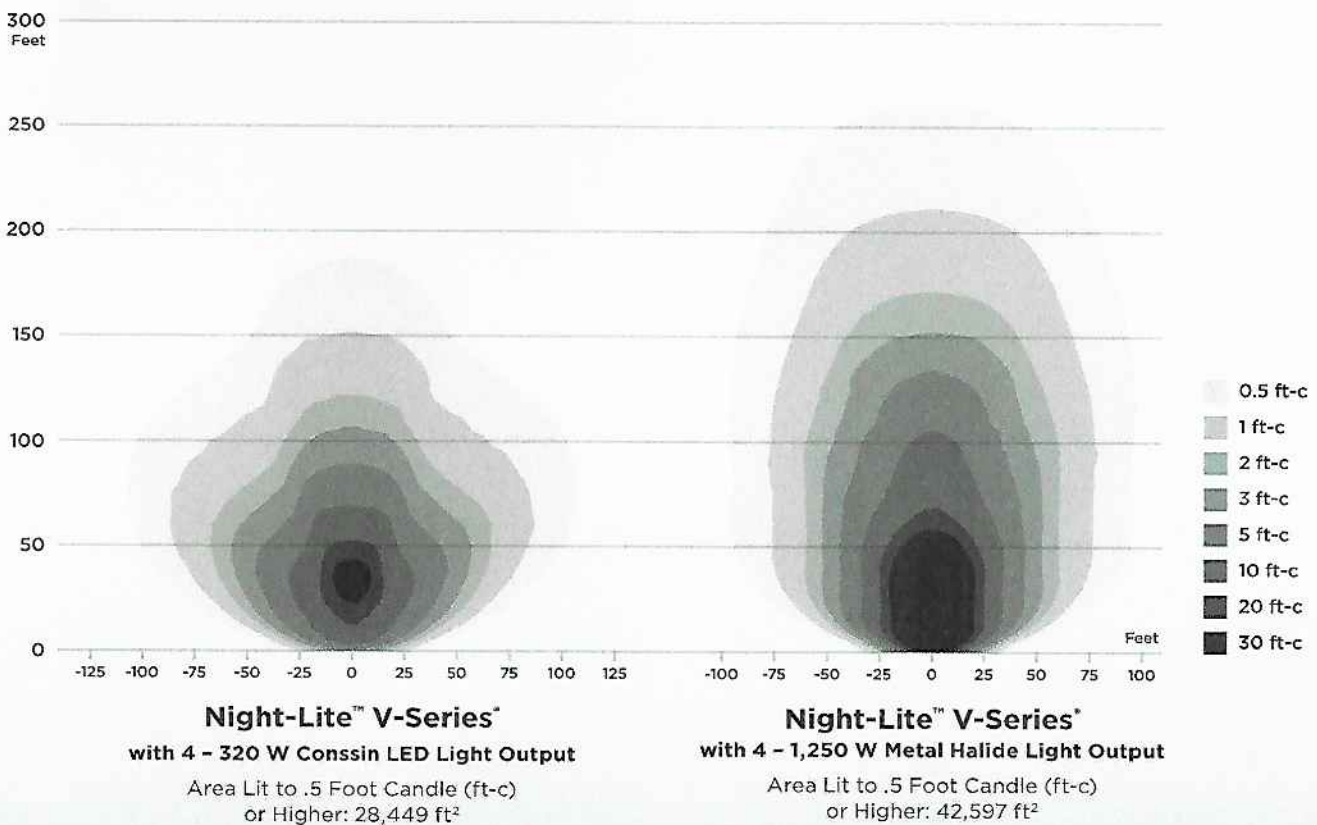
Reversible Coupler 2" ball pinned tilt tongue

Forklift Pockets Below the frame

Tires ST175 / 80D13 load range 'C'

Model	NLV-ML3EC	NLV-K1005C	NLV-P11
Engine Brand / Model		Kubota / D1005	
Engine Prime Power (kW)**		7	
Fuel Capacity gal (L)		45 (170.3)	
Light Type - Metal Halide (4) Metal Halide SHO-HD® fixture			
Metal Halide Wattage (per lamp)		1,250	
Metal Halide Lumens (per lamp / total)		135,500 / 542,000	
Operating Time (hrs)*** <small>(Using four 1,250 W metal halide light fixtures)</small>		72.6	
Light Type - LED (Optional) (4) Two LED, 5000°K color temperature			
LED Wattage (per lamp)		320	
LED Lumens (per lamp / total)		38,500 / 154,000	
Operating Time (hrs)*** <small>(Using four 320 W LED light fixtures)</small>		155.2	
Features			
Outlets	Standard 20 A 120 VAC duplex GFCI / 30 A 240 VAC 4-Wire Twist Lock (NEMA L14-30R) / 30 A 120 VAC RV (NEMA TT-30R)		
Weights & Shipping			
Shipping Weight lbs (kg)	1,885 (855)		
Gross Vehicle Weight Rating (GVWR) lbs (kg)	2,200 (998)		
Shipping	18 units on a 48' flatbed trailer / 20 units on a 53' flatbed trailer		

LIGHT COVERAGE



* Balloon light only included in raised dimension - balloon light is removed for transportation. ** Prime generator electrical output per Allmand testing. *** Based on one hour run test full fuel tank consumption. Allmand has a policy of continuous product improvement and reserves the right to modify its specifications at any time and without prior notice. See operator's manual or www.allmand.com website for complete warranty details.